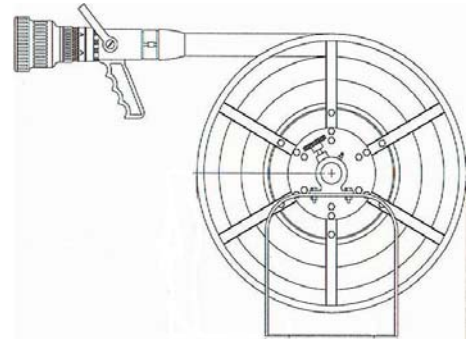




## Continuous Flow Hose Reels

### Features

- Galvanized carbon steel
- Manual rewind
- Equipped with booster hose and hand line nozzle
- Instant, single-person operation
- Only unroll the amount of hose required



### Suitable

- Suitable for use by trained fire personnel
- Typically installed in areas that require supplemental (foam/water) fire protection

### Accessories

- Red canvas cover
- Hose reel stand assembly
- Red powder coated carbon steel

Part No:	Description
CHRS50	Galvanized Carbon Steel Hose Reel w/50 ft. of 1-1/2" Hard Rubber Hose, 250 PSI pressure rating. Standard 95 GPM nozzle
CHRS75	Galvanized Carbon Steel Hose Reel w/75 ft. of 1-1/2" Hard Rubber Hose, 250 PSI pressure rating. Standard 95 GPM nozzle
CHRS100	Galvanized Carbon Steel Hose Reel w/100 ft. of 1-1/2" Hard Rubber Hose, 250 PSI pressure rating. Standard 95 GPM nozzle
CHRS125	Galvanized Carbon Steel Hose Reel w/125 ft. of 1-1/2" Hard Rubber Hose, 250 PSI pressure rating. Standard 95 GPM nozzle
CHRS150	Galvanized Carbon Steel Hose Reel w/150 ft. of 1-1/2" Hard Rubber Hose, 250 PSI pressure rating. Standard 95 GPM nozzle
CHRS175	Galvanized Carbon Steel Hose Reel w/175 ft. of 1-1/2" Hard Rubber Hose, 250 PSI pressure rating. Standard 95 GPM nozzle
CHRS200	Galvanized Carbon Steel Hose Reel w/200 ft. of 1-1/2" Hard Rubber Hose, 250 PSI pressure rating. Standard 95 GPM nozzle

**CHEMGUARD**  
 204 S. 6<sup>th</sup> Ave • Mansfield, Tx 76063 • (817) 473-9964 • FAX (817) 473-0606  
[www.chemguard.com](http://www.chemguard.com)