



Vertical and Horizontal Bladder Tanks

The Chemguard Bladder Tank is one component in a balanced pressure foam proportioning system. It requires no external power, other than the water pressure to ensure correct operation. The vertical and horizontal bladder tanks are designed and constructed in accordance with the latest revisions to ASME code, Section VIII for unfired pressure vessels with a working pressure of 175 psi and tested to 1.3 times this pressure.

SPECIFICATIONS

The tank shell is constructed of steel, complying with ASME specifications, possessing a tensile strength of not less than 70,000 psi. The circumferential, as well as the longitudinal body seam, are machine welded. The tank interior welds and edges are ground smooth.

The tank shell water inlet and tank shell water drain is screened to prevent bladder blow out or the entrapment of debris between the tank shell and the bladder.

The vertical tank assembly is supported by four legs with access to the bladder drain/fill valve and the tank shell drain/fill valve. Four feet are provided for anchoring the tank. The horizontal assembly is supported on two saddles welded to the tank and fitted with anchoring holes.

FEATURES

- UL Listed
- Bladder is manufactured of a vinyl based polymer, or a polyester reinforced copolymer. The bladder material shall have an ASTM D-412 Tensile Strength of at least 3000 psi and an ASTM D-624 Graves Tear Strength of at least 420 lbs./in.
- Tanks are supplied with permanently mounted brass trim valves with Teflon seats.

- All valves are labeled showing normal working position and function.
- Lifting lugs are permanently welded to the tank with eyes of approximately 2" diameter.
- Both the vertical and horizontal tanks contain a perforated PVC center tube that assures maximum agent discharge.
- All tanks are approximately 10% oversized to allow for any thermal expansion of the foam concentrate.
- All tanks are supplied with a label, which identifies the type of foam concentrate the system is designed for, the percentage ratio and the tank size.
- Tanks are painted red enamel

OPTIONS

- Coal tar epoxy for coating the interior shell of the tank (for use in salt-water environment)
- Sight Glass
- Proportioner prepiped onto tank assembly
- Red epoxy finish
- Custom fabrication of specialty materials, dimensions and capacities
- Actuated valves for water/concentrate
- Stainless steel or brass trim
- Insulation and heat tracing packages

CHEMGUARD
204 S. 6th Ave • Mansfield, Tx 76063 • (817) 473-9964 • FAX (817) 473-0606

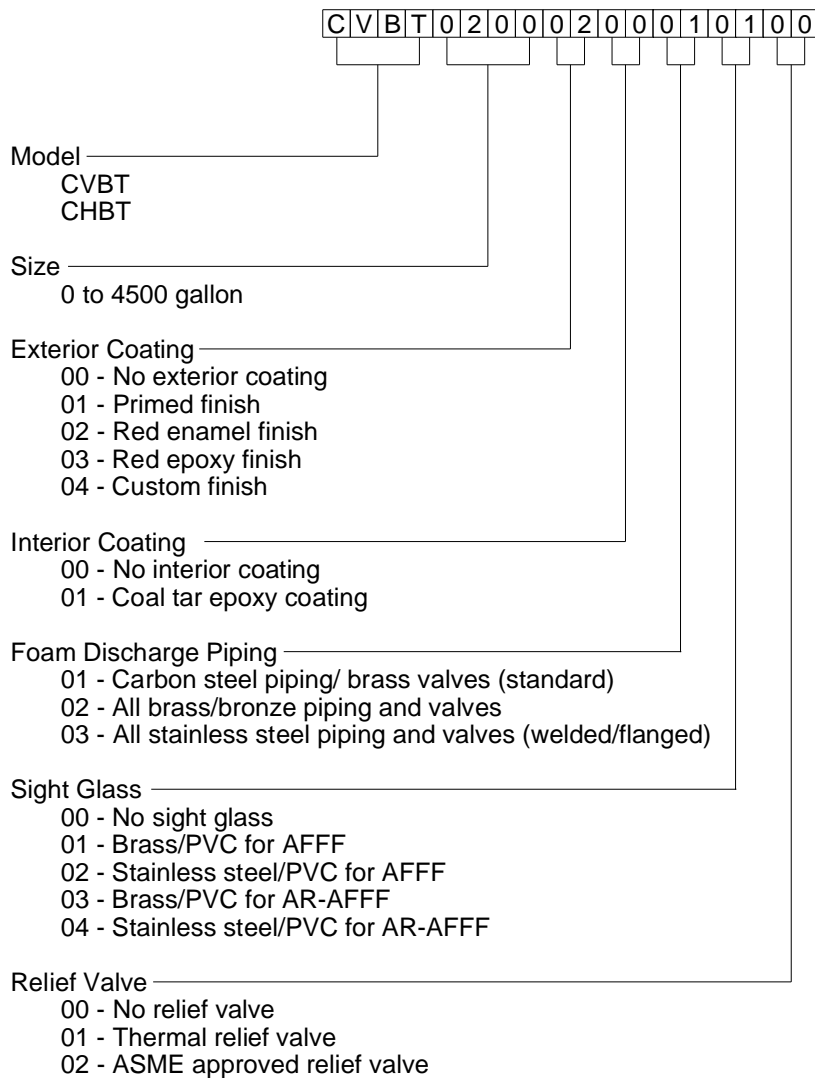
www.chemguard.com

ORDERING INFORMATION

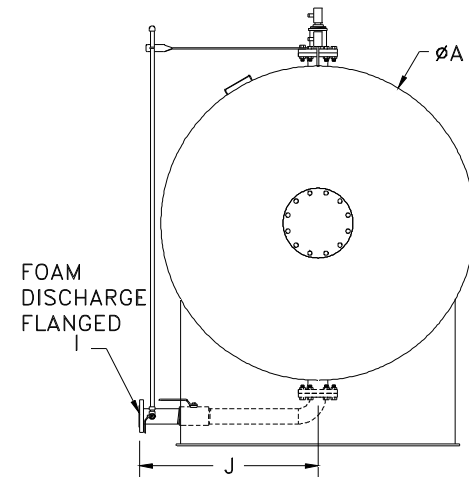
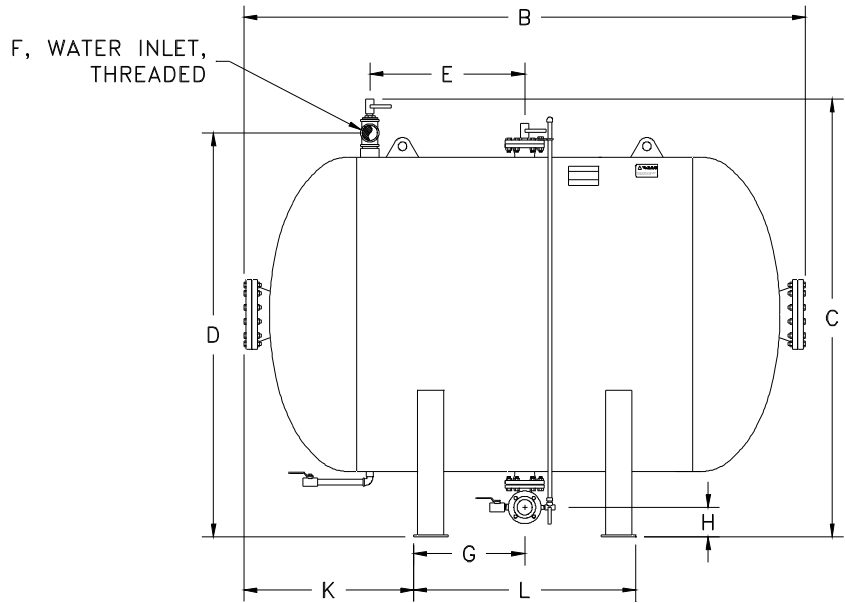
Please specify the following:

- Type of tank required, Horizontal or Vertical
- Size of tank
- Exterior finish of tank
- Whether required for salt water environment
- Any other options required

Example:

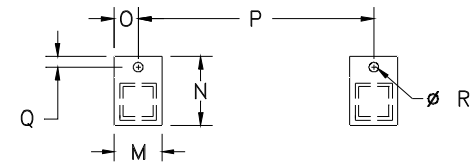


HORIZONTAL BLADDER TANK

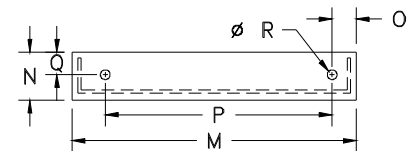


NOTES:

1. ALL DIMENSIONS ARE APPROXIMATE AND SUBJECT TO CHANGE.
2. WHEN DESIGNING A BUILDING TO HOUSE BLADDER TANKS, STEPS SHOULD BE TAKEN TO ALLOW FOR REMOVAL OF INTERNAL CENTER TUBES. CENTER TUBES ARE THE FULL LENGTH AND/OR HEIGHT OF THE TANK.



50, 75, 100 GALLON BLADDER TANKS



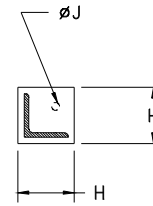
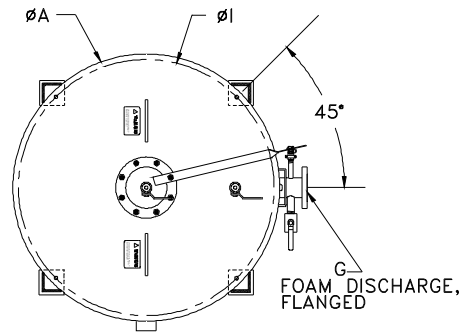
150 GALLON AND LARGER BLADDER TANKS

HORIZONTAL BLADDER TANK

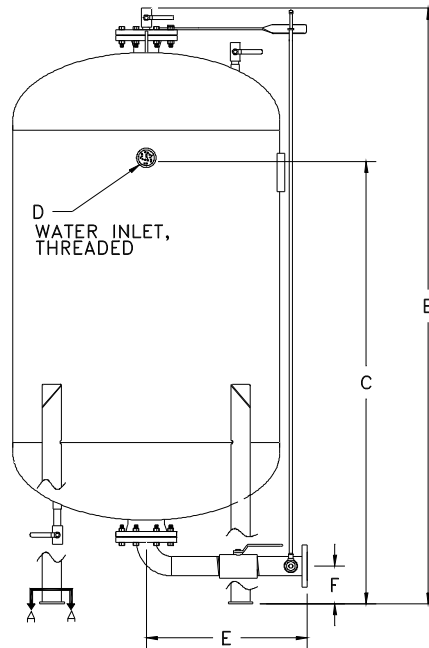
Capacity		Tank Dimensions, in. (mm.)																			
Gal.	Ltrs.	A		B		C		D		E		F		G		H		I		J	
50	189	24.00	609.60	45.50	1155.70	50.00	1270.00	43.25	1098.55	7.50	190.50	2.00	50.80	9.50	241.30	8.81	223.84	2.00	50.80	18.00	457.20
75	284	24.00	609.60	60.50	1536.70	50.00	1270.00	43.25	1098.55	15.00	381.00	2.00	50.80	13.50	342.90	8.81	223.84	2.00	50.80	18.00	457.20
100	379	24.00	609.60	75.50	1917.70	50.00	1270.00	43.25	1098.55	20.00	508.00	2.00	50.80	13.50	342.90	8.81	223.84	2.00	50.80	18.00	457.20
150	568	36.00	914.40	58.50	1485.90	62.00	1574.80	55.25	1403.35	9.50	241.30	2.00	50.80	15.00	381.00	8.31	211.14	2.00	50.80	23.00	584.20
200	757	36.00	914.40	72.50	1841.50	62.00	1574.80	55.25	1403.35	16.50	419.10	2.00	50.80	11.00	279.40	8.31	211.14	2.00	50.80	23.00	584.20
250	946	36.00	914.40	85.50	2171.70	62.00	1574.80	55.25	1403.35	23.00	584.20	2.00	50.80	17.50	444.50	8.31	211.14	2.00	50.80	23.00	584.20
300	1136	36.00	914.40	99.50	2527.30	62.00	1574.80	55.25	1403.35	30.00	762.00	2.00	50.80	24.00	609.60	8.31	211.14	2.00	50.80	23.00	584.20
350	1325	36.00	914.40	112.50	2857.50	62.00	1574.80	55.25	1403.35	36.50	927.10	2.00	50.80	30.50	774.70	8.31	211.14	2.00	50.80	23.00	584.20
400	1514	36.00	914.40	126.50	3213.10	62.00	1574.80	55.25	1403.35	43.50	1104.90	2.00	50.80	37.00	939.80	8.31	211.14	2.00	50.80	23.00	584.20
450	1703	36.00	914.40	139.50	3543.30	62.00	1574.80	55.25	1403.35	50.00	1270.00	2.00	50.80	43.50	1104.90	8.31	211.14	2.00	50.80	23.00	584.20
500	1893	48.00	1219.20	95.50	2425.70	76.00	1930.40	68.50	1739.90	24.00	609.60	3.00	76.20	13.00	330.20	6.75	171.45	3.00	76.20	29.00	736.60
600	2271	48.00	1219.20	111.50	2832.10	76.00	1930.40	68.50	1739.90	32.00	812.80	3.00	76.20	20.00	508.00	6.75	171.45	3.00	76.20	29.00	736.60
700	2650	48.00	1219.20	126.50	3213.10	76.00	1930.40	68.50	1739.90	39.50	1003.30	3.00	76.20	27.00	685.80	6.75	171.45	3.00	76.20	29.00	736.60
800	3028	48.00	1219.20	141.50	3594.10	76.00	1930.40	68.50	1739.90	47.00	1193.80	3.00	76.20	34.00	863.60	6.75	171.45	3.00	76.20	29.00	736.60
900	3407	48.00	1219.20	156.50	3975.10	76.00	1930.40	68.50	1739.90	54.50	1384.30	3.00	76.20	41.00	1041.40	6.75	171.45	3.00	76.20	29.00	736.60
1000	3785	48.00	1219.20	171.50	4356.10	76.00	1930.40	80.50	2044.70	62.00	1574.80	3.00	76.20	48.00	1219.20	6.75	171.45	3.00	76.20	29.00	736.60
1100	4164	60.00	1524.00	125.00	3175.00	88.00	2235.20	80.50	2044.70	36.50	927.10	3.00	76.20	30.00	762.00	6.75	171.45	3.00	76.20	35.00	889.00
1200	4542	60.00	1524.00	134.00	3403.60	88.00	2235.20	80.50	2044.70	41.00	1041.40	3.00	76.20	34.50	876.30	6.75	171.45	3.00	76.20	35.00	889.00
1300	4921	60.00	1524.00	143.00	3632.20	88.00	2235.20	80.50	2044.70	45.50	1155.70	3.00	76.20	39.00	990.60	6.75	171.45	3.00	76.20	35.00	889.00
1400	5300	60.00	1524.00	152.00	3860.80	88.00	2235.20	80.50	2044.70	50.00	1270.00	3.00	76.20	43.50	1104.90	6.75	171.45	3.00	76.20	35.00	889.00
1500	5678	60.00	1524.00	162.00	4114.80	88.00	2235.20	80.50	2044.70	55.00	1397.00	3.00	76.20	48.00	1219.20	6.75	171.45	3.00	76.20	35.00	889.00
1600	6057	72.00	1828.80	129.00	3276.60	100.00	2540.00	92.50	2349.50	35.50	901.70	3.00	76.20	25.50	647.70	6.75	171.45	3.00	76.20	41.00	1041.40
1700	6435	72.00	1828.80	135.00	3429.00	100.00	2540.00	92.50	2349.50	38.50	977.90	3.00	76.20	28.50	723.90	6.75	171.45	3.00	76.20	41.00	1041.40
1800	6814	72.00	1828.80	141.00	3581.40	100.00	2540.00	92.50	2349.50	41.50	1054.10	3.00	76.20	31.50	800.10	6.75	171.45	3.00	76.20	41.00	1041.40
1900	7192	72.00	1828.80	148.00	3759.20	100.00	2540.00	92.50	2349.50	45.00	1143.00	3.00	76.20	34.50	876.30	6.75	171.45	3.00	76.20	41.00	1041.40
2000	7571	72.00	1828.80	154.00	3911.60	100.00	2540.00	92.50	2349.50	48.00	1219.20	3.00	76.20	37.50	952.50	6.75	171.45	3.00	76.20	41.00	1041.40
2100	7949	84.00	2133.60	124.00	3149.60	112.00	2844.80	104.50	2654.30	30.00	762.00	3.00	76.20	19.50	495.30	6.75	171.45	3.00	76.20	47.00	1193.80
2200	8328	84.00	2133.60	128.00	3251.20	112.00	2844.80	104.50	2654.30	32.00	812.80	3.00	76.20	22.00	558.80	6.75	171.45	3.00	76.20	47.00	1193.80
2300	8706	84.00	2133.60	133.00	3378.20	112.00	2844.80	104.50	2654.30	34.50	876.30	3.00	76.20	24.00	609.60	6.75	171.45	3.00	76.20	47.00	1193.80
2400	9085	84.00	2133.60	137.00	3479.80	112.00	2844.80	104.50	2654.30	36.50	927.10	3.00	76.20	27.00	685.80	6.75	171.45	3.00	76.20	47.00	1193.80
2500	9464	84.00	2133.60	142.00	3606.80	112.00	2844.80	104.50	2654.30	39.00	990.60	3.00	76.20	29.50	749.30	6.75	171.45	3.00	76.20	47.00	1193.80
2600	9842	84.00	2133.60	147.00	3733.80	112.00	2844.80	104.50	2654.30	41.50	1054.10	3.00	76.20	32.50	825.50	6.75	171.45	3.00	76.20	47.00	1193.80
2700	10221	84.00	2133.60	151.00	3835.40	112.00	2844.80	104.50	2654.30	43.50	1104.90	3.00	76.20	34.50	876.30	6.75	171.45	3.00	76.20	47.00	1193.80
2800	10599	84.00	2133.60	156.00	3962.40	112.00	2844.80	104.50	2654.30	46.00	1168.40	3.00	76.20	37.00	939.80	6.75	171.45	3.00	76.20	47.00	1193.80
2900	10978	84.00	2133.60	161.00	4089.40	112.00	2844.80	104.50	2654.30	48.50	1231.90	3.00	76.20	39.00	990.60	6.75	171.45	3.00	76.20	47.00	1193.80
3000	11356	84.00	2133.60	165.00	4191.00	112.00	2844.80	104.50	2654.30	50.50	1282.70	3.00	76.20	40.50	1028.70	6.75	171.45	3.00	76.20	47.00	1193.80
3100	11735	84.00	2133.60	170.00	4318.00	112.00	2844.80	104.50	2654.30	53.00	1346.20	3.00	76.20	43.50	1104.90	6.75	171.45	3.00	76.20	47.00	1193.80
3200	12113	84.00	2133.60	174.00	4419.60	112.00	2844.80	104.50	2654.30	55.00	1397.00	3.00	76.20	46.00	1168.40	6.75	171.45	3.00	76.20	47.00	1193.80
3300	12492	84.00	2133.60	179.00	4546.60	112.00	2844.80	104.50	2654.30	57.50	1460.50	3.00	76.20	48.00	1219.20	6.75	171.45	3.00	76.20	47.00	1193.80
3400	12870	84.00	2133.60	183.00	4648.20	112.00	2844.80	104.50	2654.30	59.50	1511.30	3.00	76.20	50.50	1282.70	6.75	171.45	3.00	76.20	47.00	1193.80
3500	13249	84.00	2133.60	188.00	4775.20	112.00	2844.80	104.50	2654.30	62.00	1574.80	3.00	76.20	52.50	1333.50	6.75	171.45	3.00	76.20	47.00	1193.80
3600	13627	84.00	2133.60	193.00	4902.20	112.00	2844.80	104.50	2654.30	64.50	1638.30	3.00	76.20	55.50	1409.70	6.75	171.45	3.00	76.20	47.00	1193.80
3700	14006	84.00	2133.60	197.00	5003.80	112.00	2844.80	104.50	2654.30	66.50	1689.10	3.00	76.20	57.50	1460.50	6.75	171.45	3.00	76.20	47.00	1193.80
3800	14385	84.00	2133.60	202.00	5130.80	112.00	2844.80	104.50	2654.30	69.00	1752.60	3.00	76.20	60.00	1524.00	6.75	171.45	3.00	76.20	47.00	1193.80
3900	14763	84.00	2133.60	206.00	5232.40	112.00	2844.80	104.50	2654.30	71.00	1803.40	3.00	76.20	62.00	1574.80	6.75	171.45	3.00	76.20	47.00	1193.80
4000	15142	84.00	2133.60	211.00	5359.40	112.00	2844.80	104.50	2654.30	73.50	1866.90	3.00	76.20	64.50	1638.30	6.75	171.45	3.00	76.20	47.00	1193.80
4100	15520	84.00	2133.60	216.00	5486.40	112.00	2844.80	104.50	2654.30	76.00	1930.40	3.00	76.20	66.50	1689.10	6.75	171.45	3.00	76.20	47.00	1193.80
4200	15899	84.00	2133.60	221.00	5613.40	112.00	2844.80	104.50	2654.30	78.50	1993.90	3.00	76.20	69.00	1752.60	6.75	171.45	3.00	76.20	47.00	1193.80
4300	16277	84.00	2133.60	225.00	5715.00	112.00	2844.80	104.50	2654.30	80.50	2044.70	3.00	76.20	71.00	1803.40	6.75	171.45	3.00	76.20	47.00	1193.80
4400	16656	84.00	2133.60	229.00	5816.60	112.00	2844.80	104.50	2654.30	82.50	2095.50	3.00	76.20	73.50	1866.90	6.75	171.45	3.00	76.20	47.00	1193.80
4500	17034	84.00	2133.60	234.00	5943.60	112.00	2844.80	104.50	2654.30	85.00	2159.00	3.00	76.20	75.50	1917.70	6.75	171.45	3.00	76.20	47.00	1193.80

Capacity		Tank Dimensions Continued, in. (mm.)												Est. Shipping Wt.					
Gal.	Ltrs.	K		L		M		N		O		P		Q		R		Lbs.	Kg.
50	189	13.25	336.55	19.00	482.60	3.00	76.20	4.50	114.30	1.50	38.10	20.00	508.00	1.00	25.40	0.56	14.29	470	213
75	284	16.75	425.45	27.00	685.80	3.00	76.20	4.50	114.30	1.50	38.10	20.00	508.00	1.00	25.40	0.56	14.29	600	272
100	379	24.25	615.95	27.00	685.80	3.00	76.20	4.50	114.30	1.50	38.10	20.00	508.00	1.00	25.40	0.56	14.29	720	327
150	568	14.25	361.95	30.00	762.00	34.00	863.60	3.50	88.90	3.00	76.20	28.00	711.20	1.75	44.45	0.56	14.29	1050	476
200	757	25.25	641.35	22.00	558.80	34.00	863.60	5.00	127.00	3.00	76.20	28.00	711.20	2.50	63.50	0.56	14.29	1320	599
250	946	25.25	641.35	35.00	889.00	34.00	863.60	5.00	127.00	3.00	76.20	28.00	711.20	2.50	63.50	0.56	14.29	1480	671
300	1136	25.75	654.05	48.00	1219.20	34.00	863.60	5.00	127.00	3.00	76.20	28.00	711.20	2.50	63.50	0.56	14.29	1600	726
350	1325	25.75	654.05	61.00	1549.40	34.00	863.60	5.00	127.00	3.00	76.20	28.00	711.20	2.50	63.50	0.56	14.29	1800	816
400	1514	26.25	666.75	74.00	1879.60	34.00	863.60	5.00	127.00	3.00	76.20	28.00	711.20	2.50	63.50	0.56	14.29	2000	907
450	1703	26.25	666.75	87.00	2209.80	34.00	863.60	5.00	127.00	3.00	76.20	28.00	711.20	2.50	63.50	0.56	14.29	2175	987
500	1893	31.75	806.45	32.00	812.80	44.00	1117.60	6.00	152.40	3.00	76.20	38.00	965.20	3.00	76.20	0.69	17.46	2350	1066
600	2271	35.75	908.05	40.00	1016.00	44.00	1117.60	6.00	152.40	3.00	76.20	38.00	965.20	3.00	76.20	0.69	17.46	2800	1270
700	2650	36.25	920.75	54.00	1371.60	44.00	1117.60	6.00	152.40	3.00	76.20	38.00	965.20	3.00	76.20	0.69	17.46	3050	1383
800	3028	36.75	933.45	68.00	1727.20	44.00	1117.60	6.00	152.40	3.00	76.20	38.00	965.20	3.00	76.20	0.69	17.46	3400	1542
900	3407	37.25	946.15	82.00	2082.80	44.00	1117.60	6.00	152.40	3.00	76.20	38.00	965.20	3.00	76.20	0.69	17.46	3720	1687
1000	3785	37.75	958.85	96.00	2438.40	44.00	1117.60	6.00	152.40	3.00	76.20	38.00	965.20	3.00	76.20	0.69	17.46	3900	1769
1100	4164	32.50	825.50	60.00	1524.00	54.00	1371.60	6.00	152.40	3.00	76.20	48.00	1219.20	3.00	76.20	0.69	17.46	4150	1882
1200	4542	32.50	825.50	69.00	1752.60	54.00	1371.60	6.00	152.40	3.00	76.20	48.00	1219.20	3.00	76.20	0.69	17.46	4370	1982
1300	4921	32.50	825.50	78.00	1981.20	54.00	1371.60	6.00	152.40	3.00	76.20	48.00	1219.20	3.00	76.20	0.69	17.46	4550	2064
1400	5300	32.50	825.50	87.00	2209.80	54.00	1371.60	6.00	152.40	3.00	76.20	48.00	1219.20	3.00	76.20	0.69	17.46	4760	2159
1500	5678	33.00	838.20	96.00	2438.40	54.00	1371.60	6.00	152.40	3.00	76.20	48.00	1219.20	3.00	76.20	0.69	17.46	4940	2241
1600	6057	39.00	990.60	51.00	1295.40	65.00	1651.00	8.00	203.20	3.00	76.20	59.00	1498.60	4.00	101.60	0.81	20.64	5130	2327
1700	6435	39.00	990.60	57.00	1447.80	65.00	1651.00	8.00	203.20	3.00	76.20	59.00	1498.60	4.00	101.60	0.81	20.64	5330	2418
1800	6814	39.00	990.60	63.00	1600.20	65.00	1651.00	8.00	203.20	3.00	76.20	59.00	1498.60	4.00	101.60	0.81	20.64	5510	2499
1900	7192	39.50	1003.30	69.00	1752.60	65.00	1651.00	8.00	203.20	3.00	76.20	59.00	1498.60	4.00	101.60	0.81	20.64	5690	2581
2000	7571	39.50	1003.30	75.00	1905.00	65.00	1651.00	8.00	203.20	3.00	76.20	59.00	1498.60	4.00	101.60	0.81	20.64	6030	2735
2100	7949	42.50	1079.50	39.00	990.60	75.00	1905.00	8.00	203.20	3.00	76.20	69.00	1752.60	4.00	101.60	0.81	20.64	6200	2812
2200	8328	42.00	1066.80	44.00	1117.60	75.00	1905.00	8.00	203.20	3.00	76.20	69.00	1752.60	4.00	101.60	0.81	20.64	6400	2903
2300	8706	42.50	1079.50	48.00	1219.20	75.00	1905.00	8.00	203.20	3.00	76.20	69.00	1752.60	4.00	101.60	0.81	20.64	6610	2998
2400	9085	41.50	1054.10	54.00	1371.60	75.00	1905.00	8.00	203.20	3.00	76.20	69.00	1752.60	4.00	101.60	0.81	20.64	6780	3075
2500	9464	41.50	1054.10	59.00	1498.60	75.00	1905.00	8.00	203.20	3.00	76.20	69.00	1752.60	4.00	101.60	0.81	20.64	6850	3107
2600	9842	41.00	1041.40	65.00	1651.00	75.00	1905.00	10.00	254.00	4.00	101.60	67.00	1701.80	5.00	127.00	1.06	26.99	7200	3266
2700	10221	41.00	1041.40	69.00	1752.60	75.00	1905.00	10.00	254.00	4.00	101.60	67.00	1701.80	5.00	127.00	1.06	26.99	7350	3334
2800	10599	41.00	1041.40	74.00	1879.60	75.00	1905.00	10.00	254.00	4.00	101.60	67.00	1701.80	5.00	127.00	1.06	26.99	7500	3402
2900	10978	41.50	1054.10	78.00	1981.20	75.00	1905.00	10.00	254.00	4.00	101.60	67.00	1701.80	5.00	127.00	1.06	26.99	7700	3493
3000	11356	42.00	1066.80	81.00	2057.40	75.00	1905.00	10.00	254.00	4.00	101.60	67.00	1701.80	5.00	127.00	1.06	26.99	7900	3583
3100	11735	41.50	1054.10	87.00	2209.80	75.00	1905.00	10.00	254.00	4.00	101.60	67.00	1701.80	5.00	127.00	1.06	26.99	8125	3685
3200	12113	41.00	1041.40	92.00	2336.80	75.00	1905.00	10.00	254.00	4.00	101.60	67.00	1701.80	5.00	127.00	1.06	26.99	8350	3787
3300	12492	41.50	1054.10	96.00	2438.40	75.00	1905.00	10.00	254.00	4.00	101.60	67.00	1701.80	5.00	127.00	1.06	26.99	8575	3890
3400	12870	41.00	1041.40	101.00	2565.40	75.00	1905.00	10.00	254.00	4.00	101.60	67.00	1701.80	5.00	127.00	1.06	26.99	8800	3992
3500	13249	41.50	1054.10	105.00	2667.00	75.00	1905.00	10.00	254.00	4.00	101.60	67.00	1701.80	5.00	127.00	1.06	26.99	9025	4094
3600	13627	41.00	1041.40	111.00	2819.40	75.00	1905.00	12.00	304.80	4.00	101.60	67.00	1701.80	6.00	152.40	1.06	26.99	9250	4196
3700	14006	41.00	1041.40	115.00	2921.00	75.00	1905.00	12.00	304.80	4.00	101.60	67.00	1701.80	6.00	152.40	1.06	26.99	9475	4298
3800	14385	41.00	1041.40	120.00	3048.00	75.00	1905.00	12.00	304.80	4.00	101.60	67.00	1701.80	6.00	152.40	1.06	26.99	9700	4400
3900	14763	41.00	1041.40	124.00	3149.60	75.00	1905.00	12.00	304.80	4.00	101.60	67.00	1701.80	6.00	152.40	1.06	26.99	9925	4502
4000	15142	41.00	1041.40	129.00	3276.60	75.00	1905.00	12.00	304.80	4.00	101.60	67.00	1701.80	6.00	152.40	1.06	26.99	10150	4604
4100	15520	41.50	1054.10	133.00	3378.20	75.00	1905.00	12.00	304.80	4.00	101.60	67.00	1701.80	6.00	152.40	1.06	26.99	10375	4706
4200	15899	41.50	1054.10	138.00	3505.20	75.00	1905.00	12.00	304.80	4.00	101.60	67.00	1701.80	6.00	152.40	1.06	26.99	10500	4763
4300	16277	41.50	1054.10	142.00	3606.80	75.00	1905.00	12.00	304.80	4.00	101.60	67.00	1701.80	6.00	152.40	1.06	26.99	10725	4865
4400	16656	41.00	1041.40	147.00	3733.80	75.00	1905.00	12.00	304.80	4.00	101.60	67.00	1701.80	6.00	152.40	1.06	26.99	10925	4955
4500	17034	41.50	1054.10	151.00	3835.40	75.00	1905.00	12.00	304.80	4.00	101.60	67.00	1701.80	6.00	152.40	1.06	26.99	11200	5080

VERTICAL BLADDER TANK



VIEW A-A



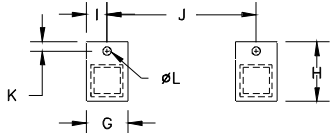
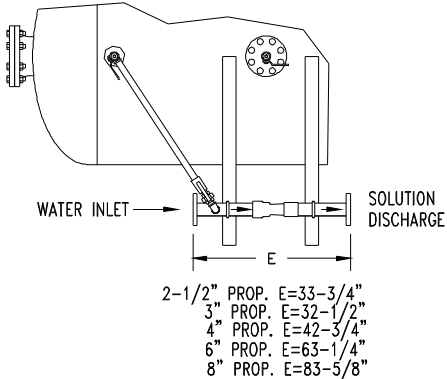
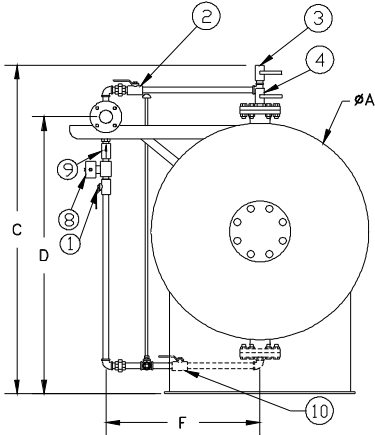
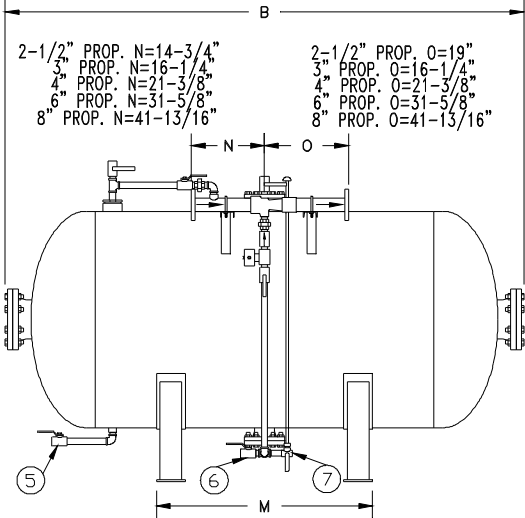
NOTES:

1. ALL DIMENSIONS ARE APPROXIMATE AND SUBJECT TO CHANGE.
2. WHEN DESIGNING A BUILDING TO HOUSE BLADDER TANKS, STEPS SHOULD BE TAKEN TO ALLOW FOR THE REMOVAL OF INTERNAL CENTER TUBES. CENTER TUBES ARE THE FULL LENGTH OF THE TANK.

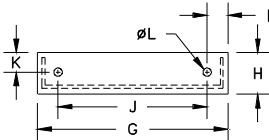
VERTICAL BLADDER TANK

Capacity		Tank Dimensions, in. (mm.)														Est. Shipping Wt.							
Gal.	Ltr	A		B		C		D		E		F		G		H		I		J		Lbs.	Kg.
25	95	24.00	609.60	45.00	1143.00	26.00	660.40	2.00	50.80	18.00	457.20	8.81	223.84	2.00	50.80	3.00	76.20	23.00	584.20	0.56	14.29	300	136
36	136	24.00	609.60	51.00	1295.40	30.00	762.00	2.00	50.80	18.00	457.20	8.81	223.84	2.00	50.80	3.00	76.20	23.00	584.20	0.56	14.29	390	177
50	189	24.00	609.60	59.00	1498.60	38.00	965.20	2.00	50.80	18.00	457.20	8.81	223.84	2.00	50.80	3.00	76.20	23.00	584.20	0.56	14.29	470	213
75	284	24.00	609.60	74.00	1879.60	53.00	1346.20	2.00	50.80	18.00	457.20	8.81	223.84	2.00	50.80	3.00	76.20	23.00	584.20	0.56	14.29	600	272
100	379	24.00	609.60	89.00	2260.60	68.00	1727.20	2.00	50.80	18.00	457.20	8.81	223.84	2.00	50.80	3.00	76.20	23.00	584.20	0.56	14.29	720	327
150	568	36.00	914.40	70.50	1790.70	47.00	1193.80	2.00	50.80	23.00	584.20	8.31	211.14	2.00	50.80	4.00	101.60	34.00	863.60	0.56	14.29	1050	476
200	757	36.00	914.40	84.50	2146.30	61.00	1549.40	2.00	50.80	23.00	584.20	8.31	211.14	2.00	50.80	4.00	101.60	34.00	863.60	0.56	14.29	1320	599
250	946	36.00	914.40	97.50	2476.50	74.00	1879.60	2.00	50.80	23.00	584.20	8.31	211.14	2.00	50.80	4.00	101.60	34.00	863.60	0.56	14.29	1480	671
300	1136	36.00	914.40	111.50	2832.10	88.00	2235.20	2.00	50.80	23.00	584.20	8.31	211.14	2.00	50.80	4.00	101.60	34.00	863.60	0.56	14.29	1600	726
350	1325	36.00	914.40	124.50	3162.30	101.00	2565.40	2.00	50.80	23.00	584.20	8.31	211.14	2.00	50.80	4.00	101.60	34.00	863.60	0.56	14.29	1800	816
400	1514	36.00	914.40	138.50	3517.90	115.00	2921.00	2.00	50.80	23.00	584.20	8.31	211.14	2.00	50.80	4.00	101.60	34.00	863.60	0.56	14.29	2000	907
450	1703	36.00	914.40	151.50	3848.10	128.00	3251.20	2.00	50.80	23.00	584.20	8.31	211.14	2.00	50.80	4.00	101.60	34.00	863.60	0.56	14.29	2175	987
500	1893	48.00	1219.20	107.00	2717.80	80.00	2032.00	3.00	76.20	29.00	736.60	6.75	171.45	3.00	76.20	4.50	114.30	46.00	1168.40	0.56	14.29	2350	1066
600	2271	48.00	1219.20	121.00	3073.40	94.00	2387.60	3.00	76.20	29.00	736.60	6.75	171.45	3.00	76.20	4.50	114.30	46.00	1168.40	0.56	14.29	2800	1270
700	2650	48.00	1219.20	138.00	3505.20	111.00	2819.40	3.00	76.20	29.00	736.60	6.75	171.45	3.00	76.20	4.50	114.30	46.00	1168.40	0.56	14.29	3050	1383
800	3028	48.00	1219.20	153.00	3886.20	126.00	3200.40	3.00	76.20	29.00	736.60	6.75	171.45	3.00	76.20	4.50	114.30	46.00	1168.40	0.56	14.29	3400	1542
900	3407	48.00	1219.20	168.00	4267.20	141.00	3581.40	3.00	76.20	29.00	736.60	6.75	171.45	3.00	76.20	4.50	114.30	46.00	1168.40	0.56	14.29	3720	1687
1000	3785	48.00	1219.20	183.00	4648.20	156.00	3962.40	3.00	76.20	29.00	736.60	6.75	171.45	3.00	76.20	4.50	114.30	46.00	1168.40	0.56	14.29	3900	1769
1100	4164	60.00	1524.00	138.00	3505.20	109.00	2768.60	3.00	76.20	35.00	889.00	6.63	168.28	3.00	76.20	5.00	127.00	56.00	1422.40	0.56	14.29	4150	1882
1200	4542	60.00	1524.00	147.00	3733.80	118.00	2997.20	3.00	76.20	35.00	889.00	6.63	168.28	3.00	76.20	5.00	127.00	56.00	1422.40	0.56	14.29	4370	1982
1300	4921	60.00	1524.00	156.00	3962.40	127.00	3225.80	3.00	76.20	35.00	889.00	6.63	168.28	3.00	76.20	5.00	127.00	56.00	1422.40	0.56	14.29	4550	2064
1400	5300	60.00	1524.00	165.00	4191.00	136.00	3454.40	3.00	76.20	35.00	889.00	6.63	168.28	3.00	76.20	5.00	127.00	56.00	1422.40	0.56	14.29	4760	2159
1500	5678	60.00	1524.00	175.00	4445.00	146.00	3708.40	3.00	76.20	35.00	889.00	6.63	168.28	3.00	76.20	5.00	127.00	56.00	1422.40	0.56	14.29	4940	2241
1600	6057	72.00	1828.80	142.00	3606.80	110.00	2794.00	3.00	76.20	41.00	1041.40	6.63	168.28	3.00	76.20	5.00	127.00	68.00	1727.20	0.56	14.29	5130	2327
1700	6435	72.00	1828.80	148.00	3759.20	116.00	2946.40	3.00	76.20	41.00	1041.40	6.63	168.28	3.00	76.20	5.00	127.00	68.00	1727.20	0.56	14.29	5330	2418
1800	6814	72.00	1828.80	154.00	3911.60	122.00	3098.80	3.00	76.20	41.00	1041.40	6.63	168.28	3.00	76.20	5.00	127.00	68.00	1727.20	0.56	14.29	5510	2499
1900	7192	72.00	1828.80	161.00	4089.40	129.00	3276.60	3.00	76.20	41.00	1041.40	6.63	168.28	3.00	76.20	5.00	127.00	68.00	1727.20	0.56	14.29	5690	2581
2000	7571	72.00	1828.80	167.00	4241.80	135.00	3429.00	3.00	76.20	41.00	1041.40	6.63	168.28	3.00	76.20	5.00	127.00	68.00	1727.20	0.56	14.29	6030	2735
2100	7949	84.00	2133.60	137.50	3492.50	102.00	2590.80	3.00	76.20	47.00	1193.80	6.50	165.10	3.00	76.20	7.00	177.80	78.00	1981.20	0.56	14.29	6200	2812
2200	8328	84.00	2133.60	141.50	3594.10	106.00	2692.40	3.00	76.20	47.00	1193.80	6.50	165.10	3.00	76.20	7.00	177.80	78.00	1981.20	0.56	14.29	6400	2903
2300	8706	84.00	2133.60	146.50	3721.10	111.00	2819.40	3.00	76.20	47.00	1193.80	6.50	165.10	3.00	76.20	7.00	177.80	78.00	1981.20	0.56	14.29	6610	2998
2400	9085	84.00	2133.60	150.50	3822.70	115.00	2921.00	3.00	76.20	47.00	1193.80	6.50	165.10	3.00	76.20	7.00	177.80	78.00	1981.20	0.56	14.29	6780	3075
2500	9464	84.00	2133.60	155.50	3949.70	120.00	3048.00	3.00	76.20	47.00	1193.80	6.50	165.10	3.00	76.20	7.00	177.80	78.00	1981.20	0.56	14.29	6850	3107
2600	9842	84.00	2133.60	160.50	4076.70	125.00	3175.00	3.00	76.20	47.00	1193.80	6.50	165.10	3.00	76.20	7.00	177.80	78.00	1981.20	0.56	14.29	7200	3266
2700	10221	84.00	2133.60	164.50	4178.30	129.00	3276.60	3.00	76.20	47.00	1193.80	6.50	165.10	3.00	76.20	7.00	177.80	78.00	1981.20	0.56	14.29	7350	3334
2800	10599	84.00	2133.60	169.50	4305.30	134.00	3403.60	3.00	76.20	47.00	1193.80	6.50	165.10	3.00	76.20	7.00	177.80	78.00	1981.20	0.56	14.29	7500	3402
2900	10978	84.00	2133.60	174.50	4432.30	139.00	3530.60	3.00	76.20	47.00	1193.80	6.50	165.10	3.00	76.20	7.00	177.80	78.00	1981.20	0.56	14.29	7700	3493
3000	11356	84.00	2133.60	178.50	4533.90	143.00	3632.20	3.00	76.20	47.00	1193.80	6.50	165.10	3.00	76.20	7.00	177.80	78.00	1981.20	0.56	14.29	7900	3583
3100	11735	84.00	2133.60	183.50	4660.90	148.00	3759.20	3.00	76.20	47.00	1193.80	6.50	165.10	3.00	76.20	7.00	177.80	78.00	1981.20	0.56	14.29	8125	3685
3200	12113	84.00	2133.60	187.50	4762.50	152.00	3860.80	3.00	76.20	47.00	1193.80	6.50	165.10	3.00	76.20	7.00	177.80	78.00	1981.20	0.56	14.29	8350	3787
3300	12492	84.00	2133.60	192.50	4889.50	157.00	3987.80	3.00	76.20	47.00	1193.80	6.50	165.10	3.00	76.20	7.00	177.80	78.00	1981.20	0.56	14.29	8575	3890
3400	12870	84.00	2133.60	196.50	4991.10	161.00	4089.40	3.00	76.20	47.00	1193.80	6.50	165.10	3.00	76.20	7.00	177.80	78.00	1981.20	0.56	14.29	8800	3992
3500	13249	84.00	2133.60	201.50	5118.10	166.00	4216.40	3.00	76.20	47.00	1193.80	6.50	165.10	3.00	76.20	7.00	177.80	78.00	1981.20	0.56	14.29	9025	4094
3600	13627	84.00	2133.60	206.50	5245.10	171.00	4343.40	3.00	76.20	47.00	1193.80	6.50	165.10	3.00	76.20	7.00	177.80	78.00	1981.20	0.56	14.29	9250	4196
3700	14006	84.00	2133.60	210.50	5346.70	175.00	4445.00	3.00	76.20	47.00	1193.80	6.50	165.10	3.00	76.20	7.00	177.80	78.00	1981.20	0.56	14.29	9475	4298
3800	14385	84.00	2133.60	215.50	5473.70	180.00	4572.00	3.00	76.20	47.00	1193.80	6.50	165.10	3.00	76.20	7.00	177.80	78.00	1981.20	0.56	14.29	9700	4400
3900	14763	84.00	2133.60	219.50	5575.30	184.00	4673.60	3.00	76.20	47.00	1193.80	6.50	165.10	3.00	76.20	8.00	203.20	78.00	1981.20	0.69	17.46	9925	4502
4000	15142	84.00	2133.60	224.50	5702.30	189.00	4800.60	3.00	76.20	47.00	1193.80	6.50	165.10	3.00	76.20	8.00	203.20	78.00	1981.20	0.69	17.46	10150	4604
4100	15520	84.00	2133.60	229.50	5829.30	194.00	4927.60	3.00	76.20	47.00	1193.80	6.50	165.10	3.00	76.20	8.00	203.20	78.00	1981.20				

PREPIPED HORIZONTAL BLADDER TANK



50, 75, 100 GALLON BLADDER TANKS



150 GALLON AND LARGER BLADDER TANKS

NOTES:

1. THE 2-1/2" THREADED CONTROLLER IS DESIGNED WITH A 2-1/2" FNPT THREADED INLET AND A 2-1/2" MNPT THREADED OUTLET. ALL 3", 4", 6" AND 8" BETWEEN FLANGE CONTROLLERS ARE DESIGNED TO FIT BETWEEN TWO 150 LB. ANSI PIPE FLANGES.
2. DIMENSIONS ARE APPROXIMATE AND SUBJECT TO CHANGE.
3. THE HYDRAULIC ACTUATED BALL VALVE IS OPTIONAL. CHEMGUARD RECOMMENDS USING THIS VALVE ANYTIME THE PROPORTIONER IS MOUNTED BELOW THE TOP OF THE TANK LEVEL TO GUARD AGAINST SIPHONING.
4. SIGHT GAUGE IS OPTIONAL.
5. OTHER PREPIPED ASSEMBLIES AVAILABLE UPON REQUEST.

VALVE #	VALVE DESCRIPTION	STAND BY POSITION	
		MANUAL SYSTEM	AUTOMATIC SYSTEM
1	FOAM CONCENTRATE SHUT-OFF	CLOSED	OPEN
2	WATER SHUT-OFF	OPEN	OPEN
3	TANK SHELL VENT	CLOSED	CLOSED
4	BLADDER VENT	CLOSED	CLOSED
5	TANK SHELL DRAIN/FILL	CLOSED	CLOSED
6	BLADDER DRAIN/FILL	CLOSED	CLOSED
7	SIGHT GAUGE DRAIN/FILL	SET TO DRAIN GAUGE	SET TO DRAIN GAUGE
8	HYDRAULIC ACTUATED VALVE	CLOSED IF USED	CLOSED
9	CHECK VALVE	N/A	N/A
10	FOAM CONCENTRATE BLOCK	OPEN	OPEN

PREPIPED HORIZONTAL BLADDER TANK

Capacity		Tank Dimensions, in. (mm)															
Gals.	Ltrs.	A		B		C		D (2-1/2" Prop.)		D (3" Prop.)		D (4" Prop.)		D (6" Prop.)		D (8" Prop.)	
50	189	24.00	609.60	45.50	1155.70	50.00	1270.00	40.44	1027.18	40.75	1035.05	41.25	1047.75	42.31	1074.67	43.31	1100.07
75	284	24.00	609.60	60.50	1536.70	50.00	1270.00	40.44	1027.18	40.75	1035.05	41.25	1047.75	42.31	1074.67	43.31	1100.07
100	379	24.00	609.60	75.50	1917.70	50.00	1270.00	40.44	1027.18	40.75	1035.05	41.25	1047.75	42.31	1074.67	43.31	1100.07
150	568	36.00	914.40	58.50	1485.90	62.00	1574.80	52.44	1331.98	52.75	1339.85	53.25	1352.55	54.31	1379.47	55.31	1404.87
200	757	36.00	914.40	72.50	1841.50	62.00	1574.80	52.44	1331.98	52.75	1339.85	53.25	1352.55	54.31	1379.47	55.31	1404.87
250	946	36.00	914.40	85.50	2171.70	62.00	1574.80	52.44	1331.98	52.75	1339.85	53.25	1352.55	54.31	1379.47	55.31	1404.87
300	1136	36.00	914.40	99.50	2527.30	62.00	1574.80	52.44	1331.98	52.75	1339.85	53.25	1352.55	54.31	1379.47	55.31	1404.87
350	1325	36.00	914.40	112.50	2857.50	62.00	1574.80	52.44	1331.98	52.75	1339.85	53.25	1352.55	54.31	1379.47	55.31	1404.87
400	1514	36.00	914.40	126.50	3213.10	62.00	1574.80	52.44	1331.98	52.75	1339.85	53.25	1352.55	54.31	1379.47	55.31	1404.87
450	1703	36.00	914.40	139.50	3543.30	62.00	1574.80	52.44	1331.98	52.75	1339.85	53.25	1352.55	54.31	1379.47	55.31	1404.87
500	1893	48.00	1219.20	95.50	2425.70	76.00	1930.40	64.44	1636.78	64.75	1644.65	65.25	1657.35	66.31	1684.27	67.31	1709.67
600	2271	48.00	1219.20	111.50	2832.10	76.00	1930.40	64.44	1636.78	64.75	1644.65	65.25	1657.35	66.31	1684.27	67.31	1709.67
700	2650	48.00	1219.20	126.50	3213.10	76.00	1930.40	64.44	1636.78	64.75	1644.65	65.25	1657.35	66.31	1684.27	67.31	1709.67
800	3028	48.00	1219.20	141.50	3594.10	76.00	1930.40	64.44	1636.78	64.75	1644.65	65.25	1657.35	66.31	1684.27	67.31	1709.67
900	3407	48.00	1219.20	156.50	3975.10	76.00	1930.40	64.44	1636.78	64.75	1644.65	65.25	1657.35	66.31	1684.27	67.31	1709.67
1000	3785	48.00	1219.20	171.50	4356.10	76.00	1930.40	64.44	1636.78	64.75	1644.65	65.25	1657.35	66.31	1684.27	67.31	1709.67
1100	4164	60.00	1524.00	125.00	3175.00	88.00	2235.20	76.44	1941.58	76.75	1949.45	77.25	1962.15	78.31	1989.07	79.31	2014.47
1200	4542	60.00	1524.00	134.00	3403.60	88.00	2235.20	76.44	1941.58	76.75	1949.45	77.25	1962.15	78.31	1989.07	79.31	2014.47
1300	4921	60.00	1524.00	143.00	3632.20	88.00	2235.20	76.44	1941.58	76.75	1949.45	77.25	1962.15	78.31	1989.07	79.31	2014.47
1400	5300	60.00	1524.00	152.00	3860.80	88.00	2235.20	76.44	1941.58	76.75	1949.45	77.25	1962.15	78.31	1989.07	79.31	2014.47
1500	5678	60.00	1524.00	162.00	4114.80	88.00	2235.20	76.44	1941.58	76.75	1949.45	77.25	1962.15	78.31	1989.07	79.31	2014.47
1600	6057	72.00	1828.80	129.00	3276.60	100.00	2540.00	88.44	2246.38	88.75	2254.25	89.25	2266.95	90.31	2293.87	91.31	2319.27
1700	6435	72.00	1828.80	135.00	3429.00	100.00	2540.00	88.44	2246.38	88.75	2254.25	89.25	2266.95	90.31	2293.87	91.31	2319.27
1800	6814	72.00	1828.80	141.00	3581.40	100.00	2540.00	88.44	2246.38	88.75	2254.25	89.25	2266.95	90.31	2293.87	91.31	2319.27
1900	7192	72.00	1828.80	148.00	3759.20	100.00	2540.00	88.44	2246.38	88.75	2254.25	89.25	2266.95	90.31	2293.87	91.31	2319.27
2000	7571	72.00	1828.80	154.00	3911.60	100.00	2540.00	88.44	2246.38	88.75	2254.25	89.25	2266.95	90.31	2293.87	91.31	2319.27
2100	7949	84.00	2133.60	124.00	3149.60	112.00	2844.80	100.44	2551.18	100.75	2559.05	101.25	2571.75	102.31	2598.67	103.31	2624.07
2200	8328	84.00	2133.60	128.00	3251.20	112.00	2844.80	100.44	2551.18	100.75	2559.05	101.25	2571.75	102.31	2598.67	103.31	2624.07
2300	8706	84.00	2133.60	133.00	3378.20	112.00	2844.80	100.44	2551.18	100.75	2559.05	101.25	2571.75	102.31	2598.67	103.31	2624.07
2400	9085	84.00	2133.60	137.00	3479.80	112.00	2844.80	100.44	2551.18	100.75	2559.05	101.25	2571.75	102.31	2598.67	103.31	2624.07
2500	9464	84.00	2133.60	142.00	3606.80	112.00	2844.80	100.44	2551.18	100.75	2559.05	101.25	2571.75	102.31	2598.67	103.31	2624.07
2600	9842	84.00	2133.60	147.00	3733.80	112.00	2844.80	100.44	2551.18	100.75	2559.05	101.25	2571.75	102.31	2598.67	103.31	2624.07
2700	10221	84.00	2133.60	151.00	3835.40	112.00	2844.80	100.44	2551.18	100.75	2559.05	101.25	2571.75	102.31	2598.67	103.31	2624.07
2800	10599	84.00	2133.60	156.00	3962.40	112.00	2844.80	100.44	2551.18	100.75	2559.05	101.25	2571.75	102.31	2598.67	103.31	2624.07
2900	10978	84.00	2133.60	161.00	4089.40	112.00	2844.80	100.44	2551.18	100.75	2559.05	101.25	2571.75	102.31	2598.67	103.31	2624.07
3000	11356	84.00	2133.60	165.00	4191.00	112.00	2844.80	100.44	2551.18	100.75	2559.05	101.25	2571.75	102.31	2598.67	103.31	2624.07
3100	11735	84.00	2133.60	170.00	4318.00	112.00	2844.80	100.44	2551.18	100.75	2559.05	101.25	2571.75	102.31	2598.67	103.31	2624.07
3200	12113	84.00	2133.60	174.00	4419.60	112.00	2844.80	100.44	2551.18	100.75	2559.05	101.25	2571.75	102.31	2598.67	103.31	2624.07
3300	12492	84.00	2133.60	179.00	4546.60	112.00	2844.80	100.44	2551.18	100.75	2559.05	101.25	2571.75	102.31	2598.67	103.31	2624.07
3400	12870	84.00	2133.60	183.00	4648.20	112.00	2844.80	100.44	2551.18	100.75	2559.05	101.25	2571.75	102.31	2598.67	103.31	2624.07
3500	13249	84.00	2133.60	188.00	4775.20	112.00	2844.80	100.44	2551.18	100.75	2559.05	101.25	2571.75	102.31	2598.67	103.31	2624.07
3600	13627	84.00	2133.60	193.00	4902.20	112.00	2844.80	100.44	2551.18	100.75	2559.05	101.25	2571.75	102.31	2598.67	103.31	2624.07
3700	14006	84.00	2133.60	197.00	5003.80	112.00	2844.80	100.44	2551.18	100.75	2559.05	101.25	2571.75	102.31	2598.67	103.31	2624.07
3800	14385	84.00	2133.60	202.00	5130.80	112.00	2844.80	100.44	2551.18	100.75	2559.05	101.25	2571.75	102.31	2598.67	103.31	2624.07
3900	14763	84.00	2133.60	206.00	5232.40	112.00	2844.80	100.44	2551.18	100.75	2559.05	101.25	2571.75	102.31	2598.67	103.31	2624.07
4000	15142	84.00	2133.60	211.00	5359.40	112.00	2844.80	100.44	2551.18	100.75	2559.05	101.25	2571.75	102.31	2598.67	103.31	2624.07
4100	15520	84.00	2133.60	216.00	5486.40	112.00	2844.80	100.44	2551.18	100.75	2559.05	101.25	2571.75	102.31	2598.67	103.31	2624.07
4200	15899	84.00	2133.60	221.00	5613.40	112.00	2844.80	100.44	2551.18	100.75	2559.05	101.25	2571.75	102.31	2598.67	103.31	2624.07
4300	16277	84.00	2133.60	225.00	5715.00	112.00	2844.80	100.44	2551.18	100.75	2559.05	101.25	2571.75	102.31	2598.67	103.31	2624.07
4400	16656	84.00	2133.60	229.00	5816.60	112.00	2844.80	100.44	2551.18	100.75	2559.05	101.25	2571.75	102.31	2598.67	103.31	2624.07
4500	17034	84.00	2133.60	234.00	5943.60	112.00	2844.80	100.44	2551.18	100.75	2559.05	101.25	2571.75	102.31	2598.67	103.31	2624.07

Note: 1. Dimensions subject to change. 2. See illustration for dimensions E, N and O.

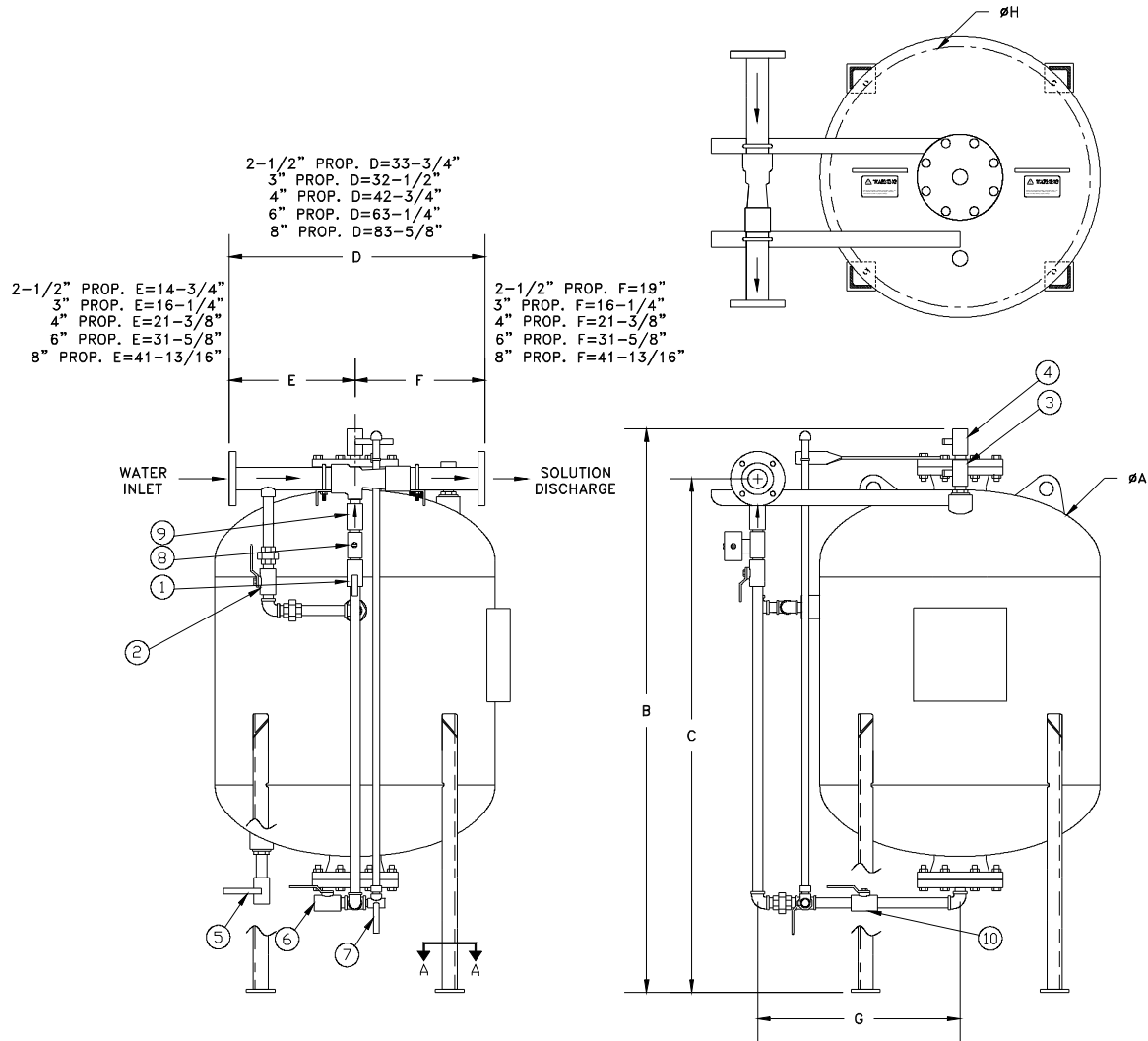
PREPIPED HORIZONTAL BLADDER TANK

Capacity		Tank Dimensions, in. (mm)																	
Gals.	Ltrs.	F			G			H		I		J		K		L		M	
50	189	23.00	584.20	3.00	76.20	4.50	114.30	1.50	38.10	20.00	508.00	1.00	25.40	0.56	14.22	19.00	482.60		
75	284	23.00	584.20	3.00	76.20	4.50	114.30	1.50	38.10	20.00	508.00	1.00	25.40	0.56	14.22	27.00	685.80		
100	379	23.00	584.20	3.00	76.20	4.50	114.30	1.50	38.10	20.00	508.00	1.00	25.40	0.56	14.22	27.00	685.80		
150	568	29.00	736.60	34.00	863.60	3.50	88.90	3.00	76.20	28.00	711.20	1.75	44.45	0.56	14.22	30.00	762.00		
200	757	29.00	736.60	34.00	863.60	5.00	127.00	3.00	76.20	28.00	711.20	2.50	63.50	0.56	14.22	22.00	558.80		
250	946	29.00	736.60	34.00	863.60	5.00	127.00	3.00	76.20	28.00	711.20	2.50	63.50	0.56	14.22	35.00	889.00		
300	1136	29.00	736.60	34.00	863.60	5.00	127.00	3.00	76.20	28.00	711.20	2.50	63.50	0.56	14.22	48.00	1219.20		
350	1325	29.00	736.60	34.00	863.60	5.00	127.00	3.00	76.20	28.00	711.20	2.50	63.50	0.56	14.22	61.00	1549.40		
400	1514	29.00	736.60	34.00	863.60	5.00	127.00	3.00	76.20	28.00	711.20	2.50	63.50	0.56	14.22	74.00	1879.60		
450	1703	29.00	736.60	34.00	863.60	5.00	127.00	3.00	76.20	28.00	711.20	2.50	63.50	0.56	14.22	87.00	2209.80		
500	1893	35.00	889.00	44.00	1117.60	5.00	127.00	3.00	76.20	38.00	965.20	3.00	76.20	0.69	17.53	26.00	660.40		
600	2271	35.00	889.00	44.00	1117.60	6.00	152.40	3.00	76.20	38.00	965.20	3.00	76.20	0.69	17.53	40.00	1016.00		
700	2650	35.00	889.00	44.00	1117.60	6.00	152.40	3.00	76.20	38.00	965.20	3.00	76.20	0.69	17.53	54.00	1371.60		
800	3028	35.00	889.00	44.00	1117.60	6.00	152.40	3.00	76.20	38.00	965.20	3.00	76.20	0.69	17.53	68.00	1727.20		
900	3407	35.00	889.00	44.00	1117.60	6.00	152.40	3.00	76.20	38.00	965.20	3.00	76.20	0.69	17.53	82.00	2082.80		
1000	3785	35.00	889.00	44.00	1117.60	6.00	152.40	3.00	76.20	38.00	965.20	3.00	76.20	0.69	17.53	96.00	2438.40		
1100	4164	41.00	1041.40	54.00	1371.60	6.00	152.40	3.00	76.20	48.00	1219.20	3.00	76.20	0.69	17.53	60.00	1524.00		
1200	4542	41.00	1041.40	54.00	1371.60	6.00	152.40	3.00	76.20	48.00	1219.20	3.00	76.20	0.69	17.53	69.00	1752.60		
1300	4921	41.00	1041.40	54.00	1371.60	6.00	152.40	3.00	76.20	48.00	1219.20	3.00	76.20	0.69	17.53	78.00	1981.20		
1400	5300	41.00	1041.40	54.00	1371.60	6.00	152.40	3.00	76.20	48.00	1219.20	3.00	76.20	0.69	17.53	87.00	2209.80		
1500	5678	41.00	1041.40	54.00	1371.60	6.00	152.40	3.00	76.20	48.00	1219.20	3.00	76.20	0.69	17.53	96.00	2438.40		
1600	6057	47.00	1193.80	65.00	1651.00	8.00	203.20	3.00	76.20	59.00	1498.60	4.00	101.60	0.81	20.57	51.00	1295.40		
1700	6435	47.00	1193.80	65.00	1651.00	8.00	203.20	3.00	76.20	59.00	1498.60	4.00	101.60	0.81	20.57	57.00	1447.80		
1800	6814	47.00	1193.80	65.00	1651.00	8.00	203.20	3.00	76.20	59.00	1498.60	4.00	101.60	0.81	20.57	63.00	1600.20		
1900	7192	47.00	1193.80	65.00	1651.00	8.00	203.20	3.00	76.20	59.00	1498.60	4.00	101.60	0.81	20.57	69.00	1752.60		
2000	7571	47.00	1193.80	65.00	1651.00	8.00	203.20	3.00	76.20	59.00	1498.60	4.00	101.60	0.81	20.57	75.00	1905.00		
2100	7949	53.00	1346.20	75.00	1905.00	8.00	203.20	3.00	76.20	29.00	736.60	4.00	101.60	0.81	20.57	39.00	990.60		
2200	8328	53.00	1346.20	75.00	1905.00	8.00	203.20	3.00	76.20	29.00	736.60	4.00	101.60	0.81	20.57	44.00	1117.60		
2300	8706	53.00	1346.20	75.00	1905.00	8.00	203.20	3.00	76.20	29.00	736.60	4.00	101.60	0.81	20.57	48.00	1219.20		
2400	9085	53.00	1346.20	75.00	1905.00	8.00	203.20	3.00	76.20	29.00	736.60	4.00	101.60	0.81	20.57	54.00	1371.60		
2500	9464	53.00	1346.20	75.00	1905.00	8.00	203.20	3.00	76.20	29.00	736.60	4.00	101.60	0.81	20.57	59.00	1498.60		
2600	9842	53.00	1346.20	75.00	1905.00	10.00	254.00	4.00	101.60	67.00	1701.80	5.00	127.00	1.06	26.92	65.00	1651.00		
2700	10221	53.00	1346.20	75.00	1905.00	10.00	254.00	4.00	101.60	67.00	1701.80	5.00	127.00	1.06	26.92	69.00	1752.60		
2800	10599	53.00	1346.20	75.00	1905.00	10.00	254.00	4.00	101.60	67.00	1701.80	5.00	127.00	1.06	26.92	74.00	1879.60		
2900	10978	53.00	1346.20	75.00	1905.00	10.00	254.00	4.00	101.60	67.00	1701.80	5.00	127.00	1.06	26.92	78.00	1981.20		
3000	11356	53.00	1346.20	75.00	1905.00	10.00	254.00	4.00	101.60	67.00	1701.80	5.00	127.00	1.06	26.92	81.00	2057.40		
3100	11735	53.00	1346.20	75.00	1905.00	10.00	254.00	4.00	101.60	67.00	1701.80	5.00	127.00	1.06	26.92	87.00	2209.80		
3200	12113	53.00	1346.20	75.00	1905.00	10.00	254.00	4.00	101.60	67.00	1701.80	5.00	127.00	1.06	26.92	92.00	2336.80		
3300	12492	53.00	1346.20	75.00	1905.00	10.00	254.00	4.00	101.60	67.00	1701.80	5.00	127.00	1.06	26.92	96.00	2438.40		
3400	12870	53.00	1346.20	75.00	1905.00	10.00	254.00	4.00	101.60	67.00	1701.80	5.00	127.00	1.06	26.92	101.00	2565.40		
3500	13249	53.00	1346.20	75.00	1905.00	10.00	254.00	4.00	101.60	67.00	1701.80	5.00	127.00	1.06	26.92	105.00	2667.00		
3600	13627	53.00	1346.20	75.00	1905.00	12.00	304.80	4.00	101.60	67.00	1701.80	6.00	152.40	1.06	26.92	111.00	2819.40		
3700	14006	53.00	1346.20	75.00	1905.00	12.00	304.80	4.00	101.60	67.00	1701.80	6.00	152.40	1.06	26.92	115.00	2921.00		
3800	14385	53.00	1346.20	75.00	1905.00	12.00	304.80	4.00	101.60	67.00	1701.80	6.00	152.40	1.06	26.92	120.00	3048.00		
3900	14763	53.00	1346.20	75.00	1905.00	12.00	304.80	4.00	101.60	67.00	1701.80	6.00	152.40	1.06	26.92	124.00	3149.60		
4000	15142	53.00	1346.20	75.00	1905.00	12.00	304.80	4.00	101.60	67.00	1701.80	6.00	152.40	1.06	26.92	129.00	3276.60		
4100	15520	53.00	1346.20	75.00	1905.00	12.00	304.80	4.00	101.60	67.00	1701.80	6.00	152.40	1.06	26.92	133.00	3378.20		
4200	15899	53.00	1346.20	75.00	1905.00	12.00	304.80	4.00	101.60	67.00	1701.80	6.00	152.40	1.06	26.92	138.00	3505.20		
4300	16277	53.00	1346.20	75.00	1905.00	12.00	304.80	4.00	101.60	67.00	1701.80	6.00	152.40	1.06	26.92	142.00	3606.80		
4400	16656	53.00	1346.20	75.00	1905.00	12.00	304.80	4.00	101.60	67.00	1701.80	6.00	152.40	1.06	26.92	147.00	3733.80		
4500	17034	53.00	1346.20	75.00	1905.00	12.00	304.80	4.00	101.60	67.00	1701.80	6.00	152.40	1.06	26.92	151.00	3835.40		

Note: 1. Dimensions subject to change.

2. See illustration for dimensions E, N and O.

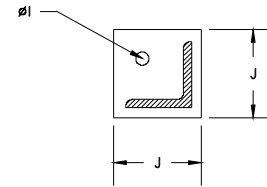
PREPIPED VERTICAL BLADDER TANK



NOTES:

1. THE 2-1/2" THREADED CONTROLLER IS DESIGNED WITH A 2-1/2" FNPT THREADED INLET AND A 2-1/2" MNPT THREADED OUTLET. ALL 3", 4", 6", AND 8", BETWEEN FLANGE CONTROLLERS ARE DESIGNED TO FIT BETWEEN TWO 150 LB. PIPE FLANGES.
2. DIMENSIONS ARE APPROXIMATE AND SUBJECT TO CHANGE.
3. THE HYDRAULIC ACTUATED BALL VALVE IS OPTIONAL. CHEMGUARD RECOMMENDS USING THIS VALVE ANYTIME THE PROPORTIONER IS MOUNTED BELOW THE TOP OF THE TANK LEVEL TO GUARD AGAINST SIPHONING.
4. SIGHT GAUGE IS OPTIONAL.
5. OTHER PREPIPED ASSEMBLIES AVAILABLE UPON REQUEST.

VALVE #	VALVE DESCRIPTION	STAND BY POSITION	
		MANUAL SYSTEM	AUTOMATIC SYSTEM
1	FOAM CONCENTRATE SHUT-OFF	CLOSED	OPEN
2	WATER SHUT-OFF	OPEN	OPEN
3	TANK SHELL VENT	CLOSED	CLOSED
4	BLADDER VENT	CLOSED	CLOSED
5	TANK SHELL DRAIN/FILL	CLOSED	CLOSED
6	BLADDER DRAIN/FILL	CLOSED	CLOSED
7	SIGHT GAUGE DRAIN/FILL	SET TO DRAIN GAUGE	SET TO DRAIN GAUGE
8	HYDRAULIC ACTUATED VALVE	CLOSED IF USED	CLOSED
9	CHECK VALVE	N/A	N/A
10	FOAM CONCENTRATE BLOCK	OPEN	OPEN



VIEW A-A

PREPIPED VERTICAL BLADDER TANK

Capacity		Tank Dimensions, in. (mm)											
Gals.	Ltrs.	A		B		C (2-1/2" Prop.)		C (3" Prop.)		C (4" Prop.)		C (6" Prop.)	
25	95	24.00	609.60	45.00	1143.00	38.44	976.38	38.75	984.25	39.25	996.95	40.31	1023.87
36	136	24.00	609.60	51.00	1295.40	44.44	1128.78	44.75	1136.65	45.25	1149.35	46.31	1176.27
50	189	24.00	609.60	59.00	1498.60	52.44	1331.98	52.75	1339.85	53.25	1352.55	54.31	1379.47
75	284	24.00	609.60	74.00	1879.60	67.44	1712.98	67.75	1720.85	68.25	1733.55	69.31	1760.47
100	379	24.00	609.60	89.00	2260.60	82.44	2093.98	82.75	2101.85	83.25	2114.55	84.31	2141.47
150	568	36.00	914.40	70.50	1790.70	63.44	1611.38	63.75	1619.25	64.25	1631.95	65.31	1658.87
200	757	36.00	914.40	84.50	2146.30	77.44	1966.98	77.75	1974.85	78.25	1987.55	79.31	2014.47
250	946	36.00	914.40	97.50	2476.50	90.44	2297.18	90.75	2305.05	91.25	2317.75	92.31	2344.67
300	1136	36.00	914.40	111.50	2832.10	104.44	2652.78	104.75	2660.65	105.25	2673.35	106.31	2700.27
350	1325	36.00	914.40	124.50	3162.30	117.44	2982.98	117.75	2990.85	118.25	3003.55	119.31	3030.47
400	1514	36.00	914.40	138.50	3517.90	131.44	3338.58	131.75	3346.45	132.25	3359.15	133.31	3386.07
450	1703	36.00	914.40	151.50	3848.10	144.44	3668.78	144.75	3676.65	145.25	3689.35	146.31	3716.27
500	1893	48.00	1219.20	107.00	2717.80	100.44	2551.18	100.75	2559.05	101.25	2571.75	102.31	2598.67
600	2271	48.00	1219.20	121.00	3073.40	114.44	2906.78	114.75	2914.65	115.25	2927.35	116.31	2954.27
700	2650	48.00	1219.20	138.00	3505.20	131.44	3338.58	131.75	3346.45	132.25	3359.15	133.31	3386.07
800	3028	48.00	1219.20	153.00	3886.20	146.44	3719.58	146.75	3727.45	147.25	3740.15	148.31	3767.07
900	3407	48.00	1219.20	168.00	4267.20	161.44	4100.58	161.75	4108.45	162.25	4121.15	163.31	4148.07
1000	3785	48.00	1219.20	183.00	4648.20	176.44	4481.58	176.75	4489.45	177.25	4502.15	178.31	4529.07
1100	4164	60.00	1524.00	138.00	3505.20	130.44	3313.18	130.75	3321.05	131.25	3333.75	132.31	3360.67
1200	4542	60.00	1524.00	147.00	3733.80	139.44	3541.78	139.75	3549.65	140.25	3562.35	141.31	3589.27
1300	4921	60.00	1524.00	156.00	3962.40	148.44	3770.38	148.75	3778.25	149.25	3790.95	150.31	3817.87
1400	5300	60.00	1524.00	165.00	4191.00	157.44	3998.98	157.75	4006.85	158.25	4019.55	159.31	4046.47
1500	5678	60.00	1524.00	175.00	4445.00	167.44	4252.98	167.75	4260.85	168.25	4273.55	169.31	4300.47
1600	6057	72.00	1828.80	142.00	3606.80	134.44	3414.78	134.75	3422.65	135.25	3435.35	136.31	3462.27
1700	6435	72.00	1828.80	148.00	3759.20	140.44	3567.18	140.75	3575.05	141.25	3587.75	142.31	3614.67
1800	6814	72.00	1828.80	154.00	3911.60	146.44	3719.58	146.75	3727.45	147.25	3740.15	148.31	3767.07
1900	7192	72.00	1828.80	161.00	4089.40	153.44	3897.38	153.75	3905.25	154.25	3917.95	155.31	3944.87
2000	7571	72.00	1828.80	167.00	4241.80	159.44	4049.78	159.75	4057.65	160.25	4070.35	161.31	4097.27
2100	7949	84.00	2133.60	137.50	3492.50	129.44	3287.78	129.75	3295.65	130.25	3308.35	131.31	3335.27
2200	8328	84.00	2133.60	141.50	3594.10	133.44	3389.38	133.75	3397.25	134.25	3409.95	135.31	3436.87
2300	8706	84.00	2133.60	146.50	3721.10	138.44	3516.38	138.75	3524.25	139.25	3536.95	140.31	3563.87
2400	9085	84.00	2133.60	150.50	3822.70	142.44	3617.98	142.75	3625.85	143.25	3638.55	144.31	3665.47
2500	9464	84.00	2133.60	155.50	3949.70	147.44	3744.98	147.75	3752.85	148.25	3765.55	149.31	3792.47
2600	9842	84.00	2133.60	160.50	4076.70	152.44	3871.98	152.75	3879.85	153.25	3892.55	154.31	3919.47
2700	10221	84.00	2133.60	164.50	4178.30	156.44	3973.58	156.75	3981.45	157.25	3994.15	158.31	4021.07
2800	10599	84.00	2133.60	169.50	4305.30	161.44	4100.58	161.75	4108.45	162.25	4121.15	163.31	4148.07
2900	10978	84.00	2133.60	174.50	4432.30	166.44	4227.58	166.75	4235.45	167.25	4248.15	168.31	4275.07
3000	11356	84.00	2133.60	178.50	4533.90	170.44	4329.18	170.75	4337.05	171.25	4349.75	172.31	4376.67
3100	11735	84.00	2133.60	183.50	4660.90	175.44	4456.18	175.75	4464.05	176.25	4476.75	177.31	4503.67
3200	12113	84.00	2133.60	187.50	4762.50	179.44	4557.78	179.75	4565.65	180.25	4578.35	181.31	4605.27
3300	12492	84.00	2133.60	192.50	4889.50	184.44	4684.78	184.75	4692.65	185.25	4705.35	186.31	4732.27
3400	12870	84.00	2133.60	196.50	4991.10	188.44	4786.38	188.75	4794.25	189.25	4806.95	190.31	4833.87
3500	13249	84.00	2133.60	201.50	5118.10	193.44	4913.38	193.75	4921.25	194.25	4933.95	195.31	4960.87
3600	13627	84.00	2133.60	206.50	5245.10	198.44	5040.38	198.75	5048.25	199.25	5060.95	200.31	5087.87
3700	14006	84.00	2133.60	210.50	5346.70	202.44	5141.98	202.75	5149.85	203.25	5162.55	204.31	5189.47
3800	14385	84.00	2133.60	215.50	5473.70	207.44	5268.98	207.75	5276.85	208.25	5289.55	209.31	5316.47
3900	14763	84.00	2133.60	219.50	5575.30	211.44	5370.58	211.75	5378.45	212.25	5391.15	213.31	5418.07
4000	15142	84.00	2133.60	224.50	5702.30	216.44	5497.58	216.75	5505.45	217.25	5518.15	218.31	5545.07
4100	15520	84.00	2133.60	229.50	5829.30	221.44	5624.58	221.75	5632.45	222.25	5645.15	223.31	5672.07
4200	15899	84.00	2133.60	234.50	5956.30	226.44	5751.58	226.75	5759.45	227.25	5772.15	228.31	5799.07
4300	16277	84.00	2133.60	238.50	6057.90	230.44	5853.18	230.75	5861.05	231.25	5873.75	232.31	5900.67
4400	16656	84.00	2133.60	242.50	6159.50	234.44	5954.78	234.75	5962.65	235.25	5975.35	236.31	6002.27
4500	17034	84.00	2133.60	247.50	6286.50	239.44	6081.78	239.75	6089.65	240.25	6102.35	241.31	6129.27

- Note:
 1. Dimensions subject to change.
 2. See illustration for dimensions D, E and F.

PREPIPED VERTICAL BLADDER TANK

Capacity		Tank Dimensions, in. (mm)									
Gals.	Ltrs.	C (8" Prop.)		G		H		I		J	
25.00	94.64	41.31	1049.27	23.00	584.20	23.00	584.20	0.56	14.22	3.00	76.20
36.00	136.27	47.31	1201.67	23.00	584.20	23.00	584.20	0.56	14.22	3.00	76.20
50.00	189.27	55.31	1404.87	23.00	584.20	23.00	584.20	0.56	14.22	3.00	76.20
75.00	283.91	70.31	1785.87	23.00	584.20	23.00	584.20	0.56	14.22	3.00	76.20
100.00	378.54	85.31	2166.87	23.00	584.20	23.00	584.20	0.56	14.22	3.00	76.20
150.00	567.81	66.31	1684.27	29.00	736.60	34.00	863.60	0.56	14.22	4.00	101.60
200.00	757.08	80.31	2039.87	29.00	736.60	34.00	863.60	0.56	14.22	4.00	101.60
250.00	946.35	93.31	2370.07	29.00	736.60	34.00	863.60	0.56	14.22	4.00	101.60
300.00	1135.62	107.31	2725.67	29.00	736.60	34.00	863.60	0.56	14.22	4.00	101.60
350.00	1324.89	120.31	3055.87	29.00	736.60	34.00	863.60	0.56	14.22	4.00	101.60
400.00	1514.16	134.31	3411.47	29.00	736.60	34.00	863.60	0.56	14.22	4.00	101.60
450.00	1703.43	147.31	3741.67	29.00	736.60	34.00	863.60	0.56	14.22	4.00	101.60
500.00	1892.70	103.31	2624.07	35.00	889.00	46.00	1168.40	0.56	14.22	4.50	114.30
600.00	2271.24	117.31	2979.67	35.00	889.00	46.00	1168.40	0.56	14.22	4.50	114.30
700.00	2649.78	134.31	3411.47	35.00	889.00	46.00	1168.40	0.56	14.22	4.50	114.30
800.00	3028.32	149.31	3792.47	35.00	889.00	46.00	1168.40	0.56	14.22	4.50	114.30
900.00	3406.86	164.31	4173.47	35.00	889.00	46.00	1168.40	0.56	14.22	4.50	114.30
1000.00	3785.40	179.31	4554.47	35.00	889.00	46.00	1168.40	0.56	14.22	4.50	114.30
1100.00	4163.94	133.31	3386.07	41.00	1041.40	56.00	1422.40	0.56	14.22	5.00	127.00
1200.00	4542.48	142.31	3614.67	41.00	1041.40	56.00	1422.40	0.56	14.22	5.00	127.00
1300.00	4921.02	151.31	3843.27	41.00	1041.40	56.00	1422.40	0.56	14.22	5.00	127.00
1400.00	5299.56	160.31	4071.87	41.00	1041.40	56.00	1422.40	0.56	14.22	5.00	127.00
1500.00	5678.10	170.31	4325.87	41.00	1041.40	56.00	1422.40	0.56	14.22	5.00	127.00
1600.00	6056.64	137.31	3487.67	47.00	1193.80	68.00	1727.20	0.56	14.22	5.00	127.00
1700.00	6435.18	143.31	3640.07	47.00	1193.80	68.00	1727.20	0.56	14.22	5.00	127.00
1800.00	6813.72	149.31	3792.47	47.00	1193.80	68.00	1727.20	0.56	14.22	5.00	127.00
1900.00	7192.26	156.31	3970.27	47.00	1193.80	68.00	1727.20	0.56	14.22	5.00	127.00
2000.00	7570.80	162.31	4122.67	47.00	1193.80	68.00	1727.20	0.56	14.22	5.00	127.00
2100.00	7949.34	132.31	3360.67	53.00	1346.20	78.00	1981.20	0.56	14.22	7.00	177.80
2200.00	8327.88	136.31	3462.27	53.00	1346.20	78.00	1981.20	0.56	14.22	7.00	177.80
2300.00	8706.42	141.31	3589.27	53.00	1346.20	78.00	1981.20	0.56	14.22	7.00	177.80
2400.00	9084.96	145.31	3690.87	53.00	1346.20	78.00	1981.20	0.56	14.22	7.00	177.80
2500.00	9463.50	150.31	3817.87	53.00	1346.20	78.00	1981.20	0.56	14.22	7.00	177.80
2600.00	9842.04	155.31	3944.87	53.00	1346.20	78.00	1981.20	0.56	14.22	7.00	177.80
2700.00	10220.58	159.31	4046.47	53.00	1346.20	78.00	1981.20	0.56	14.22	7.00	177.80
2800.00	10599.12	164.31	4173.47	53.00	1346.20	78.00	1981.20	0.56	14.22	7.00	177.80
2900.00	10977.66	169.31	4300.47	53.00	1346.20	78.00	1981.20	0.56	14.22	7.00	177.80
3000.00	11356.20	173.31	4402.07	53.00	1346.20	78.00	1981.20	0.56	14.22	7.00	177.80
3100.00	11734.74	178.31	4529.07	53.00	1346.20	78.00	1981.20	0.56	14.22	7.00	177.80
3200.00	12113.28	182.31	4630.67	53.00	1346.20	78.00	1981.20	0.56	14.22	7.00	177.80
3300.00	12491.82	187.31	4757.67	53.00	1346.20	78.00	1981.20	0.56	14.22	7.00	177.80
3400.00	12870.36	191.31	4859.27	53.00	1346.20	78.00	1981.20	0.56	14.22	7.00	177.80
3500.00	13248.90	196.31	4986.27	53.00	1346.20	78.00	1981.20	0.56	14.22	7.00	177.80
3600.00	13627.44	201.31	5113.27	53.00	1346.20	78.00	1981.20	0.56	14.22	7.00	177.80
3700.00	14005.98	205.31	5214.87	53.00	1346.20	78.00	1981.20	0.56	14.22	7.00	177.80
3800.00	14384.52	210.31	5341.87	53.00	1346.20	78.00	1981.20	0.56	14.22	7.00	177.80
3900.00	14763.06	214.31	5443.47	53.00	1346.20	78.00	1981.20	0.69	17.53	8.00	203.20
4000.00	15141.60	219.31	5570.47	53.00	1346.20	78.00	1981.20	0.69	17.53	8.00	203.20
4100.00	15520.14	224.31	5697.47	53.00	1346.20	78.00	1981.20	0.69	17.53	8.00	203.20
4200.00	15898.68	229.31	5824.47	53.00	1346.20	78.00	1981.20	0.69	17.53	8.00	203.20
4300.00	16277.22	233.31	5926.07	53.00	1346.20	78.00	1981.20	0.69	17.53	8.00	203.20
4400.00	16655.76	237.31	6027.67	53.00	1346.20	78.00	1981.20	0.69	17.53	8.00	203.20
4500.00	17034.30	242.31	6154.67	53.00	1346.20	78.00	1981.20	0.69	17.53	8.00	203.20

Note:

1. Dimensions subject to change.
2. See illustration for dimensions D, E and F.