



## Pressure/Vacuum Vents Atmospheric Storage Tanks

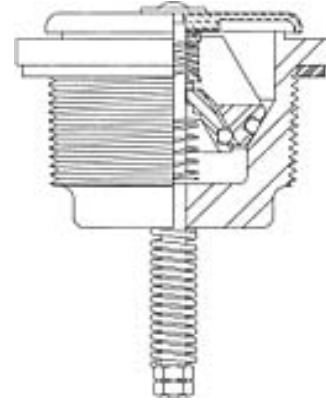
The Chemguard Pressure/Vacuum Vent (PVV) is designed to allow excess pressure to be vented from an atmospheric storage tank during filling operations while reducing the evaporation of the liquid. The vent also prevents a vacuum from forming inside the tank during discharge of the tank contents.

The Pressure/Vacuum vents are usually installed at the top center of concentrate storage tanks. Chemguard Pressure/Vacuum vents are available in three different configurations, suitable for use with fixed system tanks as well as mobile applications.

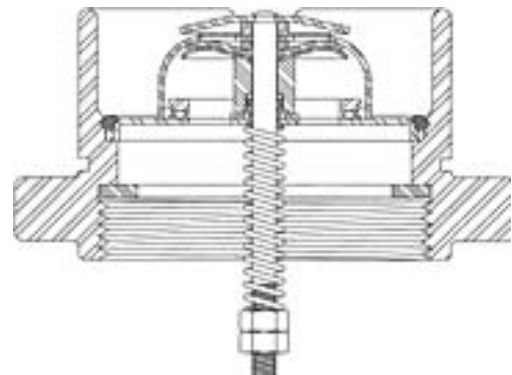
The Polypropylene vent is set to maintain 0.25 PSI (0.017 Bar) pressure, and 0.50 PSI (0.035 Bar) vacuum. The all stainless steel vents are set to maintain 3 PSI (0.206 Bar) pressure and 0.50 PSI (0.035 Bar) vacuum.

*Descriptions and part numbers are as follows:*

- Part Number EP11021 - 2-inch Male NPT, Polypropylene construction with Stainless Steel springs, 0.25 PSI Pressure X 0.50 PSI Vacuum.
- Part Number EP11240 - 2-inch Male NPT, All Type 316 Stainless Steel construction, with Stainless Steel springs, 3.00 PSI Pressure X 0.50 PSI Vacuum.
- Part Number EP11241 - 3-inch Female NPT, All Type 316 Stainless Steel construction, with Stainless Steel springs, 3.00 PSI Pressure X 0.50 PSI Vacuum.



EP11021 & EP11240



EP11241

*CHEMGUA*